

RICKMEIER GOES LEAD-FREE.

www.rickmeier.de

Dear Ladies and Gentlemen,

constant innovations paired with ecological responsibility, that is RICKMEIER! After the successful introduction of the new R6 series, we are now relaunching our R5 series and the mechanically driven UNI pumps.

The focus is on the substitution of lead-containing plain bearings with lead-free ones! From now on, we will replace all pumps from the above-mentioned series step by step and supply exclusively lead-free gear pumps from mid-2024 at the latest. In the case of customized products, an individual agreement will be reached with our worldwide customers. Of course, these lead-free plain bearings have been qualified by us as a component relevant to function and service life. We will be pleased to send you further information on request.

Soon we will inform you about technical and organisational details and present further news like our R5PLUS series as well as the sizes R36 and R46 with integrated DB valve.

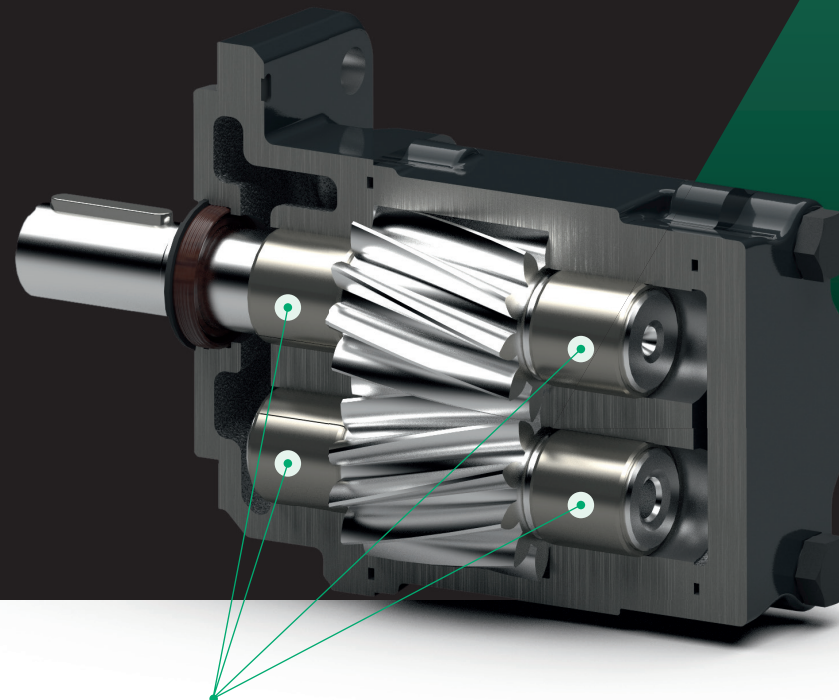
If you have any questions, do not hesitate to contact us directly. You can find your contact person at www.rickmeier.de on the CONTACT page.

We wish you a pleasant summer season and look forward to hearing from you.

With kind regards



RICKMEIER GmbH
Oliver Paßolat
Head of Sales



Lead-free plain bearings in the R5 Series and the mechanically driven UNI-pump.

RICKMEIER **GOES LEAD-FREE.** YOUR ADVANTAGES:

- Ecologically necessary avoidance of critical materials
- Compliance with the RoHS Directive 2011/65/EU
from 21.07.2024 the use of lead or lead-containing components in electrical and electronic equipment is prohibited!
- Better resistance due to less swelling in critical pumped media
- Long-term security of supply

RICKMEIER.
PUMPENTECHNOLOGIE